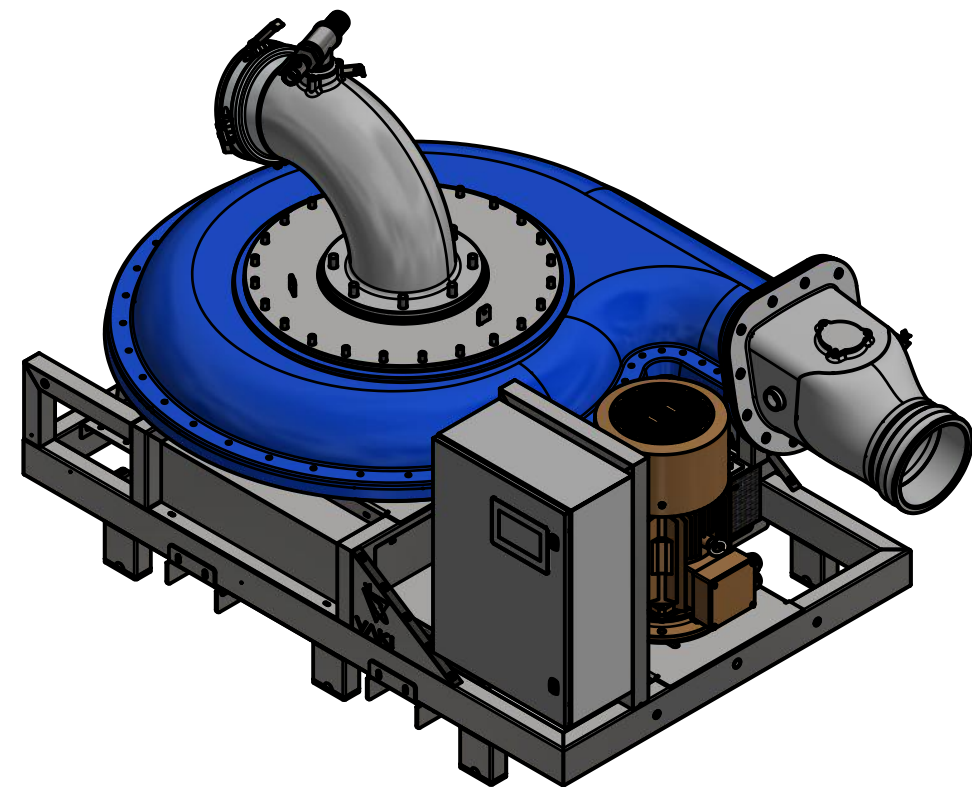
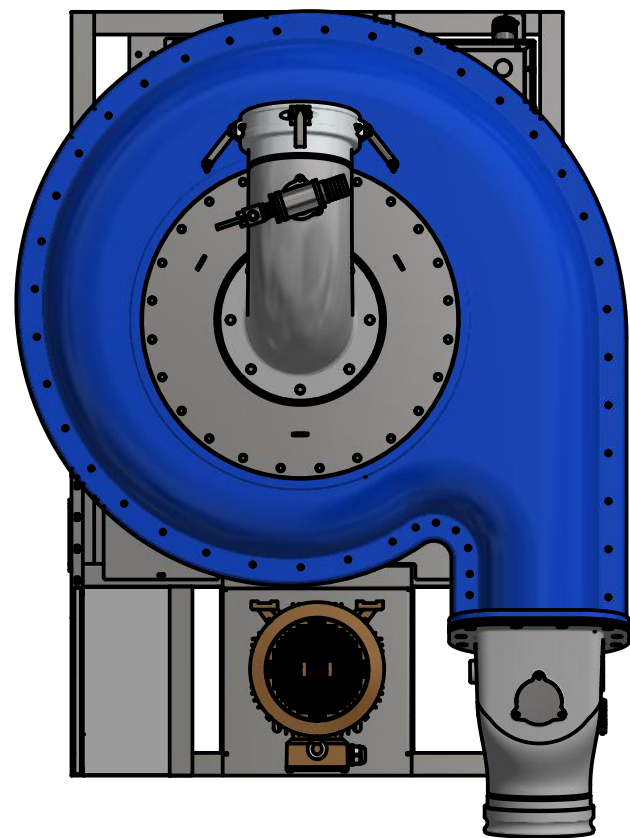
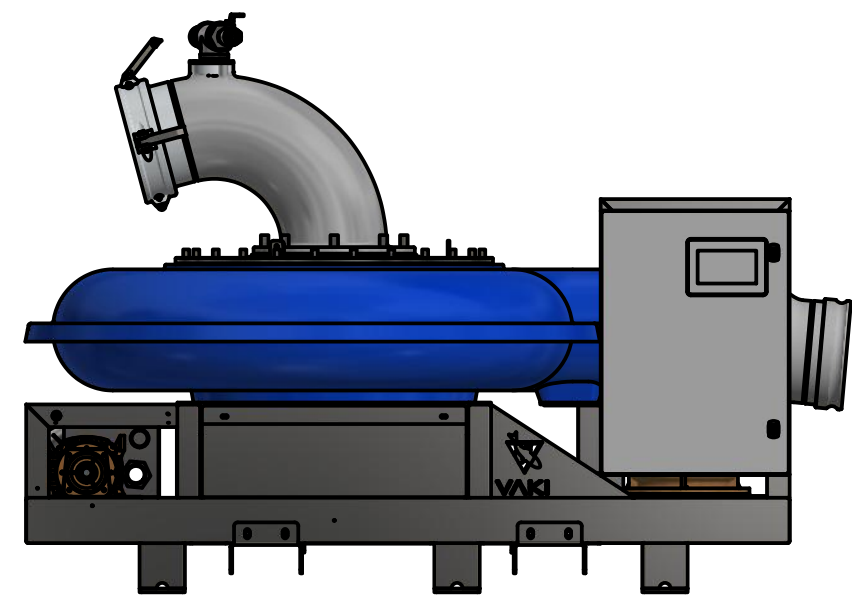
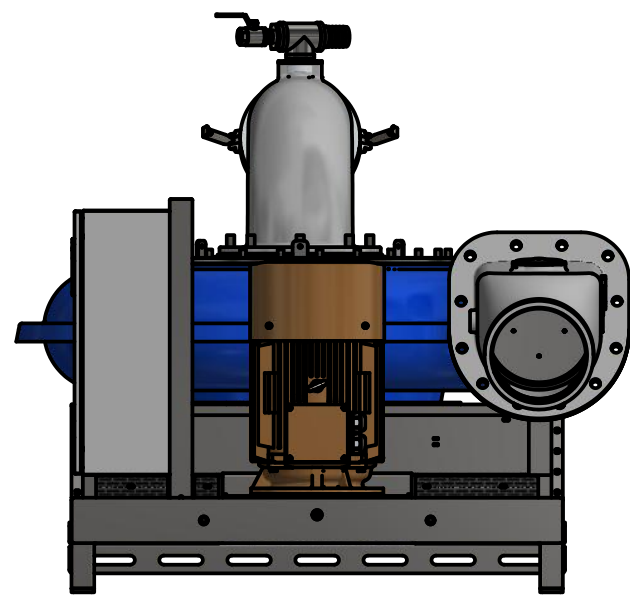


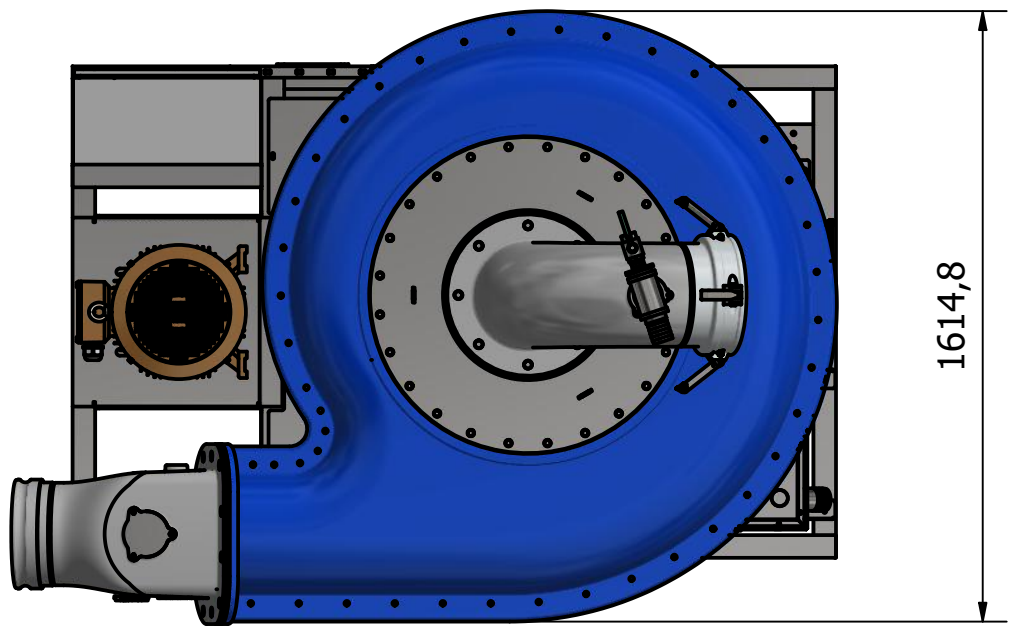
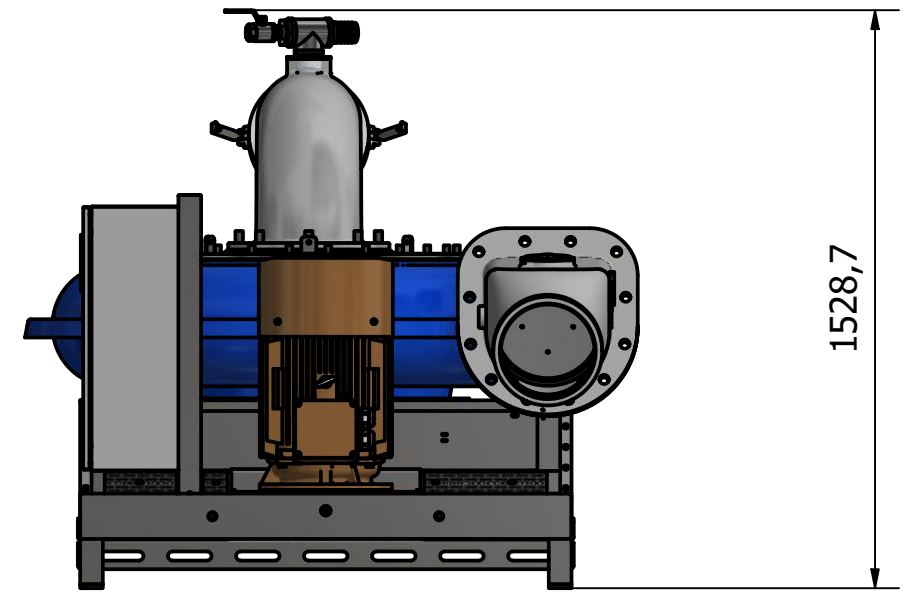
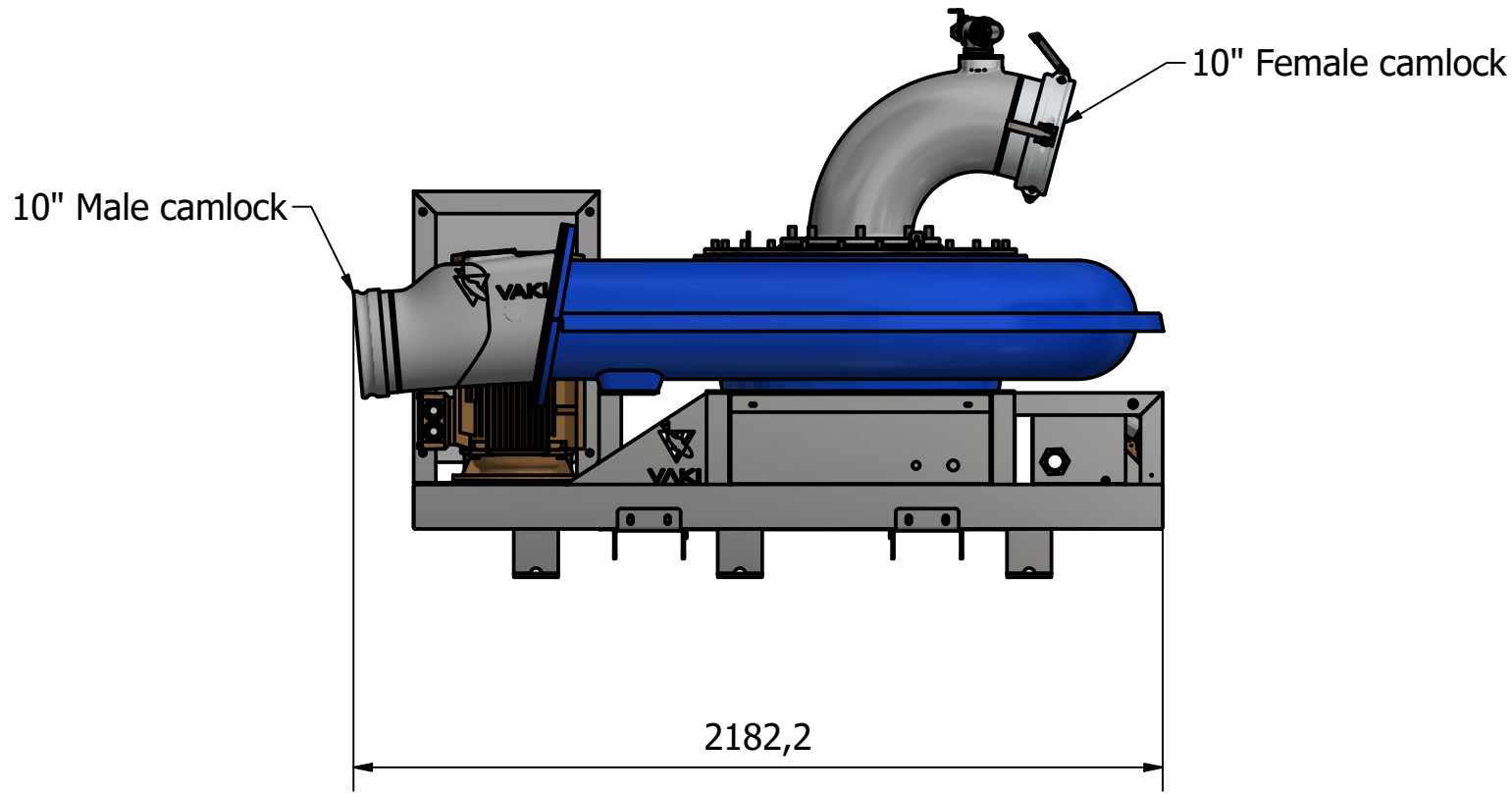
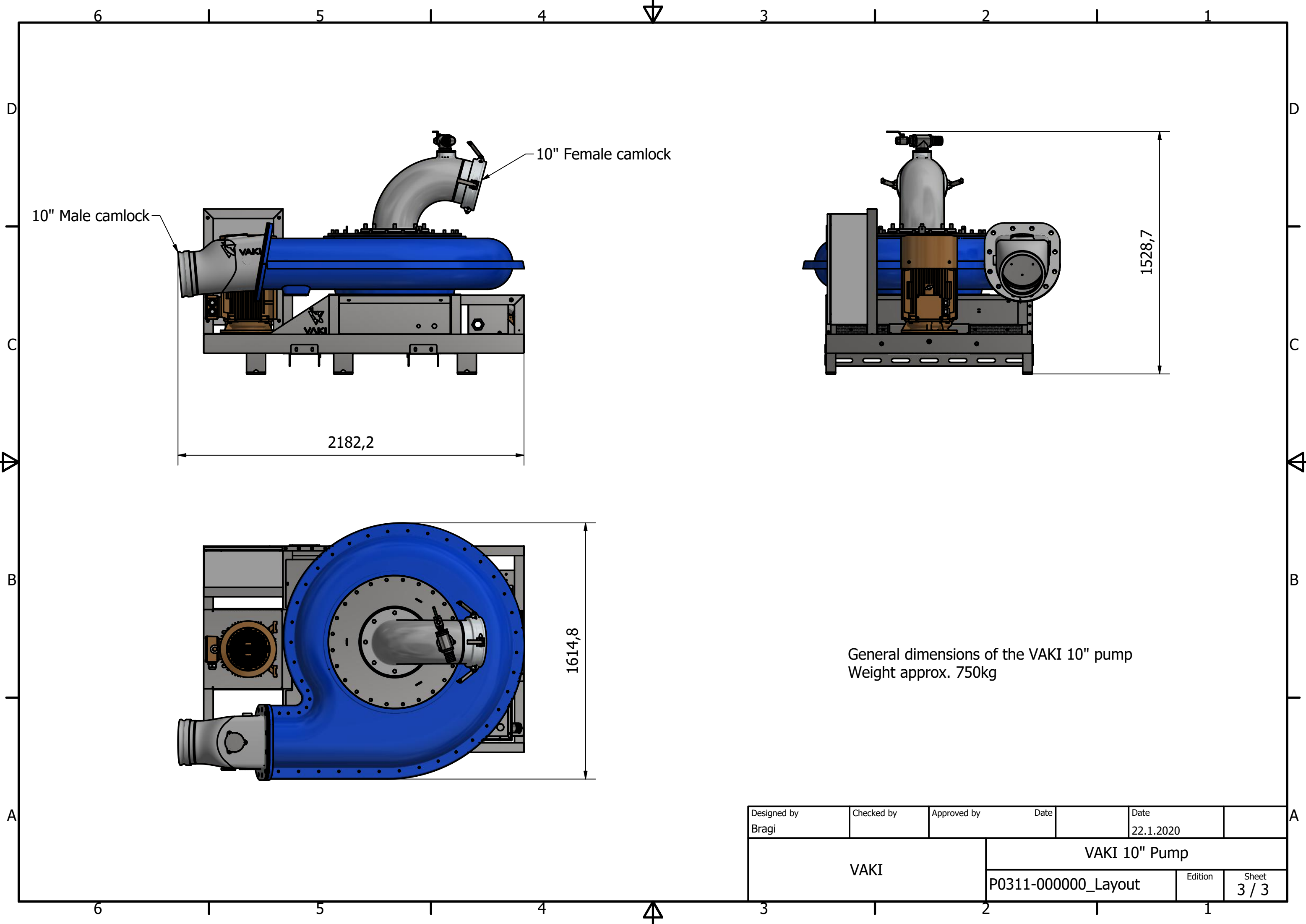
VAKI 10" Pump

Designed by Bragi	Checked by	Approved by	Date	Date 22.1.2020	
VAKI		VAKI 10" Pump			
		P0311-000000_Layout	Edition	Sheet 1 / 3	



Layout view of the VAKI 10" pump.

Designed by Bragi	Checked by	Approved by	Date	Date 22.1.2020	
VAKI		VAKI 10" Pump			
		P0311-000000_Layout	Edition	Sheet 2 / 3	



General dimensions of the VAKI 10" pump
 Weight approx. 750kg

Designed by Bragi	Checked by	Approved by	Date	Date 22.1.2020	
VAKI		VAKI 10" Pump			
		P0311-000000_Layout	Edition	Sheet 3 / 3	